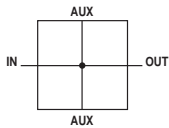


# Diverter Block NJ8

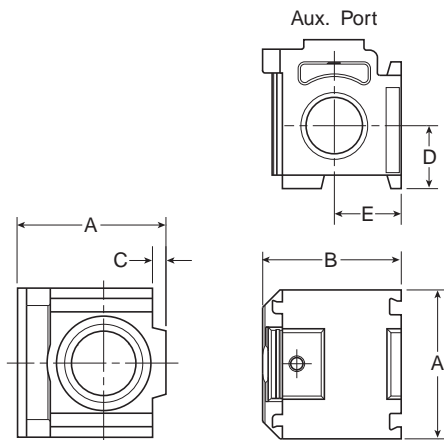
 = "Most Popular"



**NJ8-06-D000**

## Features

- Eliminates One Joiner Set
- Space-Saving Design.
- Can be Wall Mounted with T-Bracket
- Includes O-ring, One Pipe Plug and Joiner Clamp
- A000 Models Will Accept an Electronic Pressure Switch
- Can Assemble Multiple Units to Form a Manifold
- Auxiliary Ports Top and Bottom



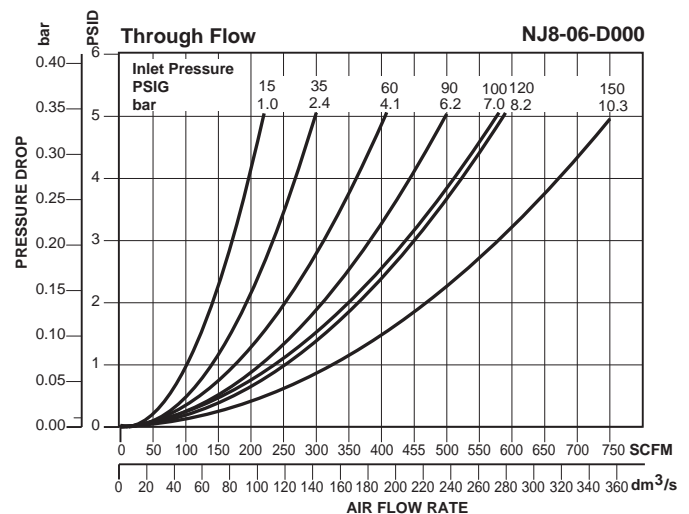
## Specifications

Flow Capacity*	(Model D000)	750 SCFM (354 dm <sup>3</sup> /s)
Auxiliary Port (2)	NPT / BSPP-G	1/4, 3/8, 1/2
Maximum Supply Pressure		300 PSIG (20.7 bar)
Operating Temperature		32° to 150°F (0° to 65.5°C)
Port Size (Out Only)	NPT / BSPP-G	3/4
Weight	lb. (kg)	.74 (0.34)

\* Inlet pressure 150 PSIG (10.3 bar). Pressure drop 5 PSID (0.3 bar).

## Materials of Construction

Body Zinc



## Dimensions

Models	Inches (mm)	A	B	C	D	E
Standard Unit NJ8-X6-X000		1.88 (48)	1.75 (44)	0.17 (4)	0.80 (20)	0.85 (22)

## Ordering Information

Model Type	Out Port Size	Auxiliary Port Size	Model
NJ8	3/4	1/4	NJ8-06-A000
		3/8	NJ8-06-C000
		1/2	NJ8-06-D000

Options - To order an option supplied with the unit model, add the appropriate coded suffix letter in the designated position of the model number.